



2WAY

DETAIL

2WAY track is an aluminium extruded system, available in self colour aluminium or black anodised finish. The external dimensions are 35mm (1 3/8") wide x 40mm high (1 5/16").

The lower part of the track contains a channel that accepts wheeled carriers that have either plain or ball raced bearings. Both types of carrier are 22mm (7/8") wide for calculating stacking distances. Carriers are normally attached to curtains at 300mm, 250mm or 200mm centres. The leading carrier is 66mm (2 5/8") wide and this can be fitted with an overlap arm if required. The upper channel accepts an 8mm threaded tee nut from which to suspend the track with a selection of standard or Unistrut type brackets and studding. There are 2 'L' shaped slots in the side of the track for attaching the track flush to a soffit or ceiling with 2W30 ceiling clips.

At the bottom corners of the extrusion are 2 keyhole slots that accept roll pins to align the running surfaces when the track sections are joined. Each joint set comprises a flat plate with 4 grub screws that fits into the top slot and 2 roll pins.

2WAY is intended to be used for systems where cording is not required such as side masking curtains, perimeter tracks in studios, acoustic curtains and any application where walk-along operation is required.

2WAY can be rolled to any radius from a minimum of 750mm (2' 6"). 2WAY is stocked in 6.1m (20 feet) lengths.

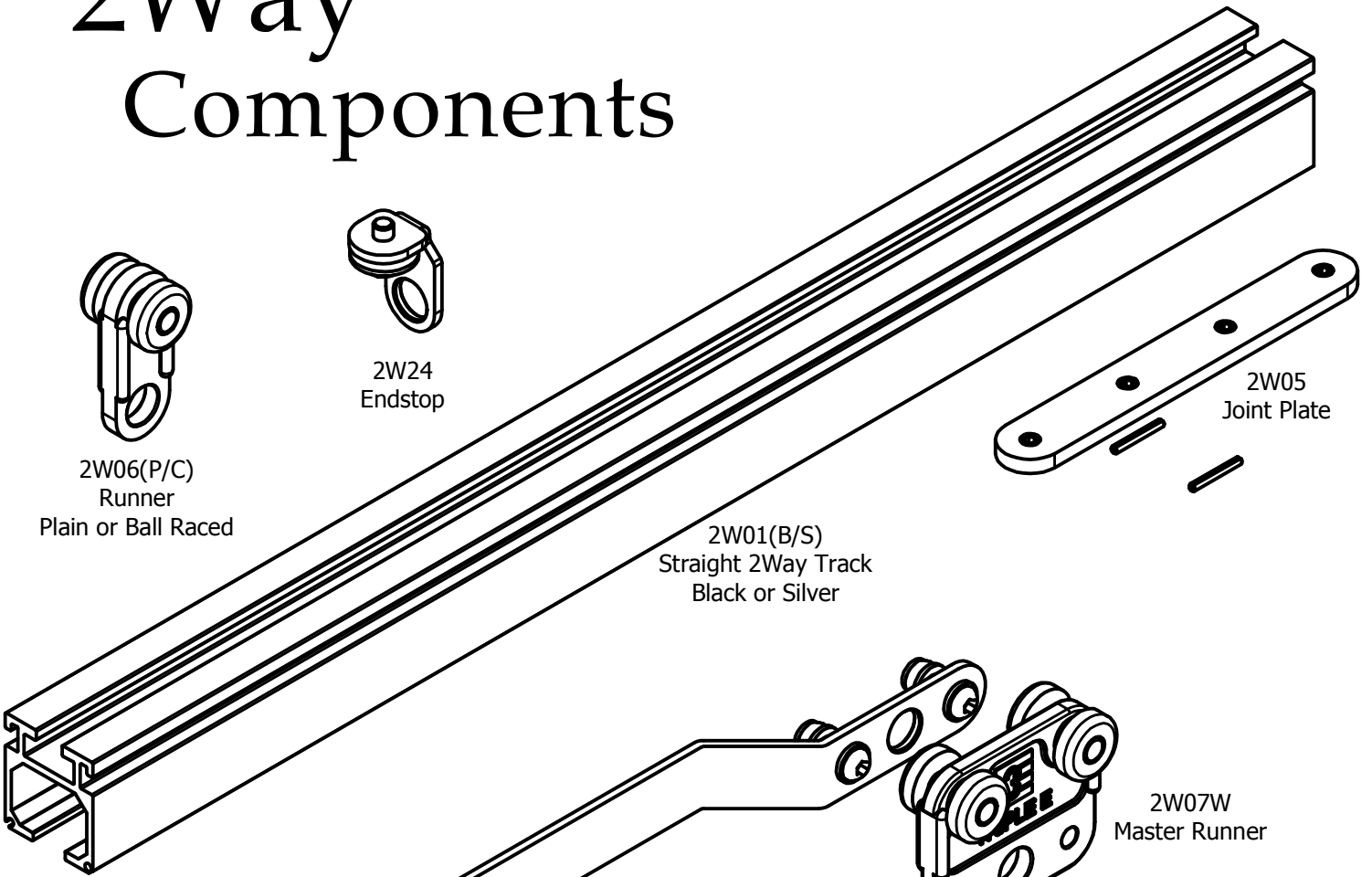
2Way Components



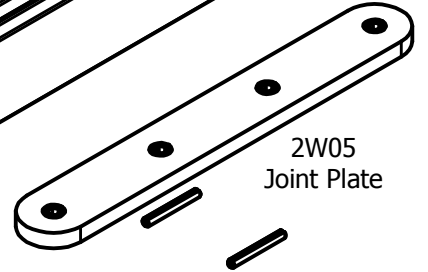
2W06(P/C)
Runner
Plain or Ball Raced



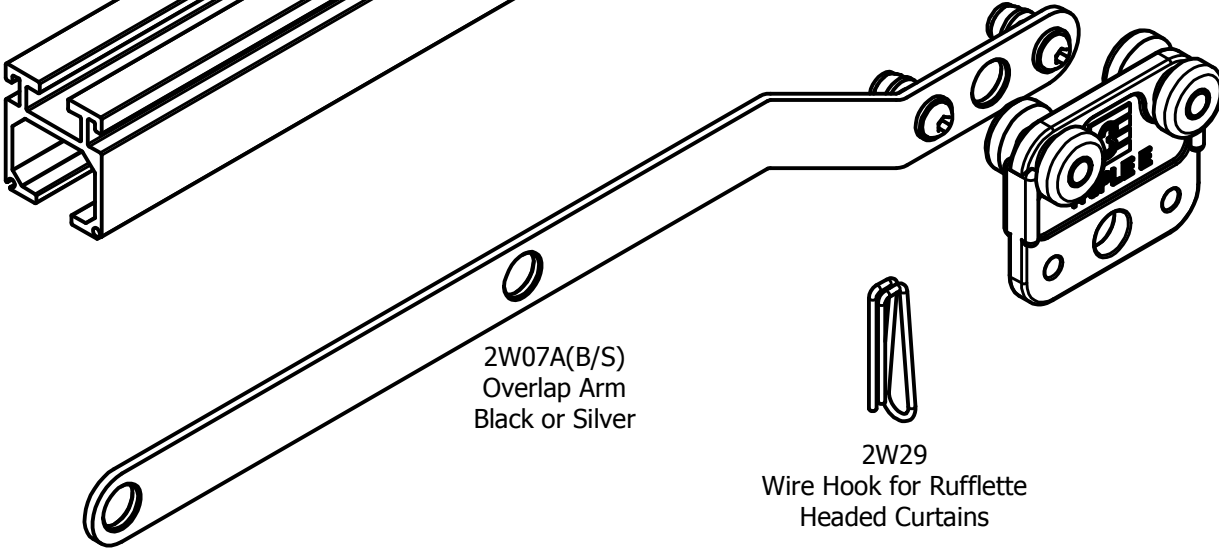
2W24
Endstop



2W01(B/S)
Straight 2Way Track
Black or Silver



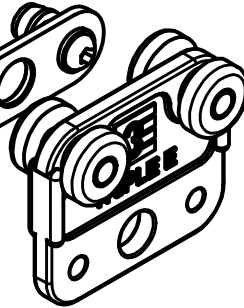
2W05
Joint Plate



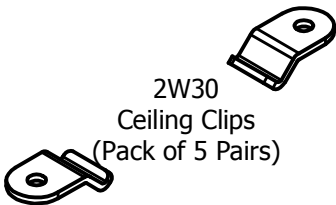
2W07A(B/S)
Overlap Arm
Black or Silver



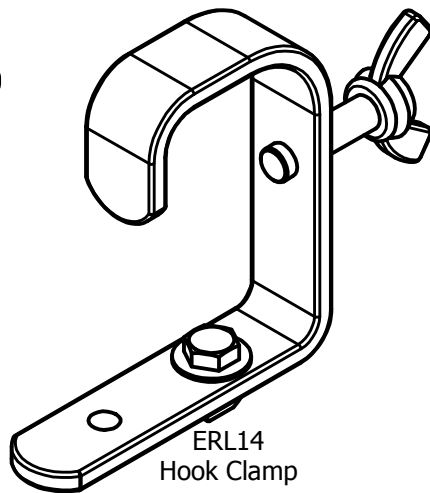
2W29
Wire Hook for Rufflette
Headed Curtains



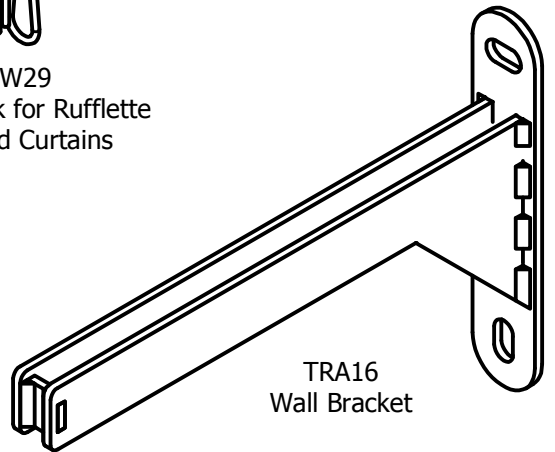
2W07W
Master Runner



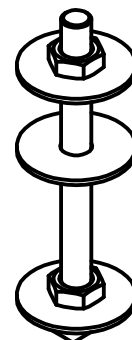
2W30
Ceiling Clips
(Pack of 5 Pairs)



ERL14
Hook Clamp



TRA16
Wall Bracket



ERL18
Studing

