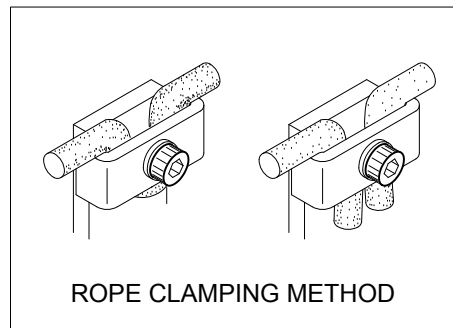
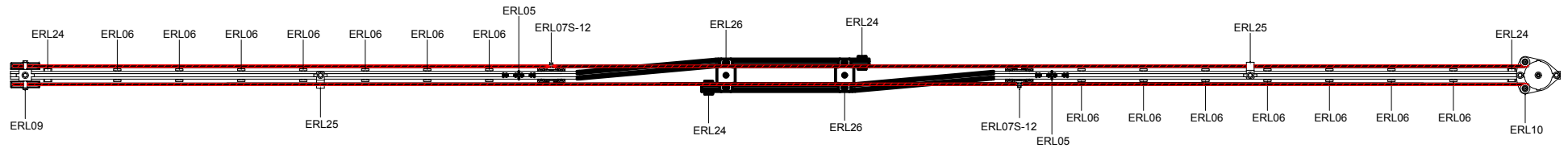


DWG No
ERL-CD1

DO NOT SCALE

 THIRD ANGLE PROJECTION

DXF File Name



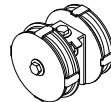
ERL05



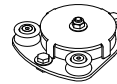
ERL06



ERL07S-12



ERL09



ERL10



ERL24



ERL25



ERL26



TRIPLE E LTD

16 AIRPORT IND EST
MAIN ROAD, BIGGIN HILL
KENT, TN16 3BW

TEL: +44 (0) 1959 570333
FAX: +44 (0) 1959 570888

© TRIPLE E LTD

THE CONTENTS OF THIS
DRAWING CONSTITUTES
DESIGN COPYRIGHT AND
MAY NOT BE REPRODUCED
OR DISCLOSED TO A THIRD
PARTY WITHOUT PRIOR
PERMISSION IN WRITING
FROM TRIPLE E LTD

TITLE Straight Offset Overlap
Viewed From Above

ALL DIMENSIONS IN
MILLIMETRES (mm)
TOLERANCES UNLESS
OTHERWISE STATED
DIMENSIONAL ± 0.2

MATERIAL

FINISH

SPECIAL INSTRUCTIONS

Other types of suspension can be used

DRAWN LE

APPD

PART No

SCALE

DATE 2017

DWG No Rev