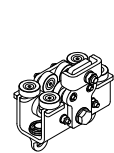
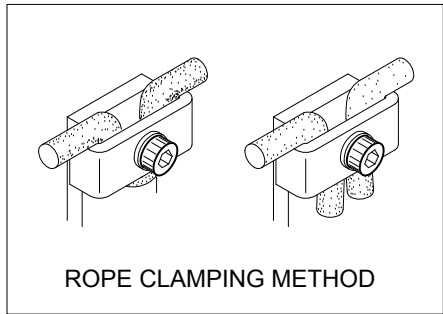
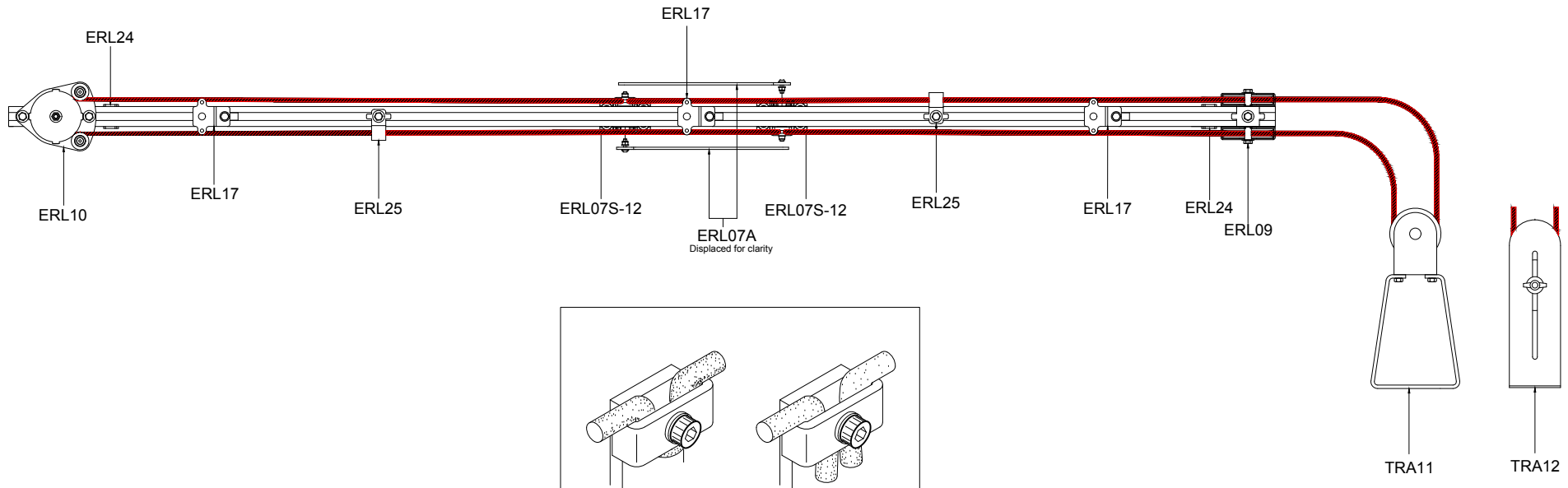


DWG No  
ERL-CD3

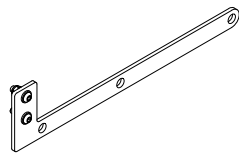
DO NOT SCALE

THIRD ANGLE PROJECTION

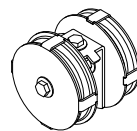
DXF File Name



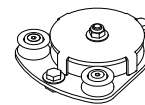
ERL07S-12



ERL07A



ERL09



ERL10



ERL17



ERL24



**TRIPLE E LTD**

16 AIRPORT IND EST  
MAIN ROAD, BIGGIN HILL  
KENT, TN16 3BW

TEL: +44 (0) 1959 570333  
FAX: +44 (0) 1959 570888

© TRIPLE E LTD

THE CONTENTS OF THIS  
DRAWING CONSTITUTES  
DESIGN COPYRIGHT AND  
MAY NOT BE REPRODUCED  
OR DISCLOSED TO A THIRD  
PARTY WITHOUT PRIOR  
PERMISSION IN WRITING  
FROM TRIPLE E LTD

TITLE

Straight Bi-Part with Overlap Arms  
Viewed From Above

ALL DIMENSIONS IN  
MILLIMETRES (mm)  
TOLERANCES UNLESS  
OTHERWISE STATED  
DIMENSIONAL  $\pm 0.2$

MATERIAL

FINISH

SPECIAL INSTRUCTIONS

ERL06 - Runners not shown  
Other types of suspension can be used

DRAWN LE

APPD

PART No

SCALE

DATE 2017

DWG No Rev